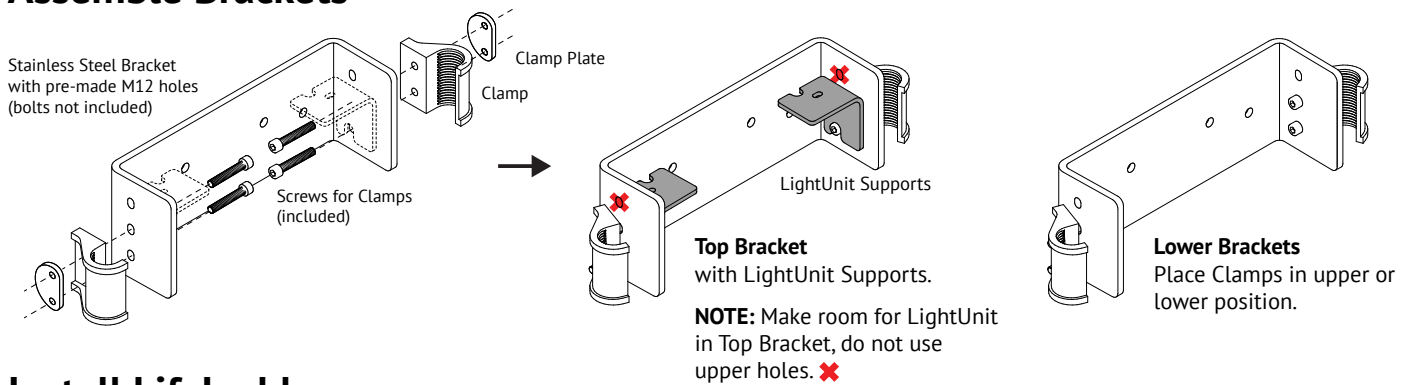
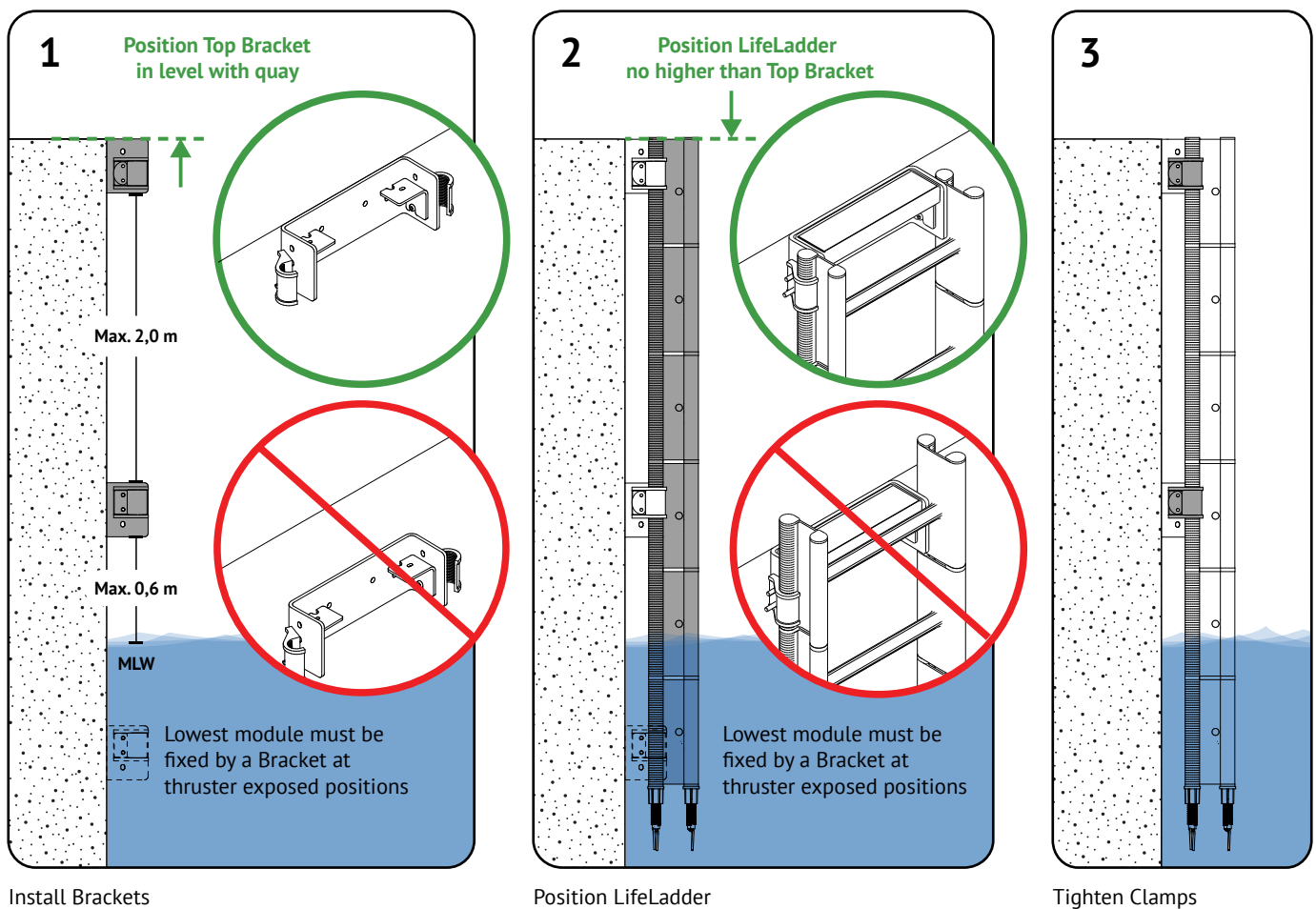


Installation Guide

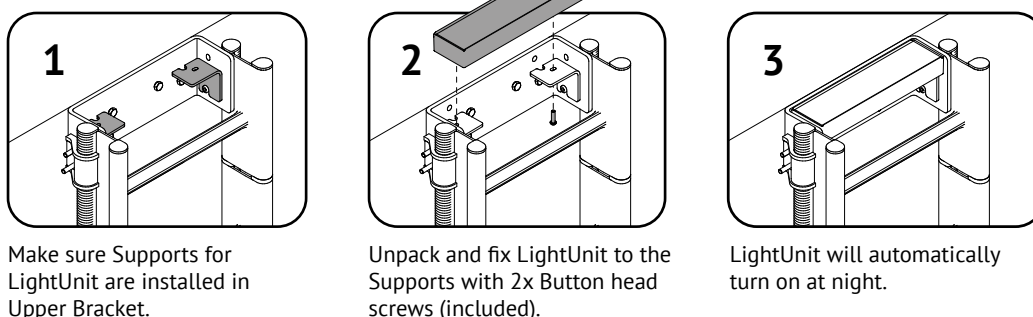
Assemble Brackets



Install LifeLadder



Install LightUnit



Functionality:
LightUnit charges in sunlight. Its LEDs illuminate the LifeLadder at night.

Avoid shadows:
Lack of exposure to sunlight will reduce performance and might cause LightUnit to not function during winter time.

After installation:
LightUnit may need 2 days of sunlight to 'wake up'.