

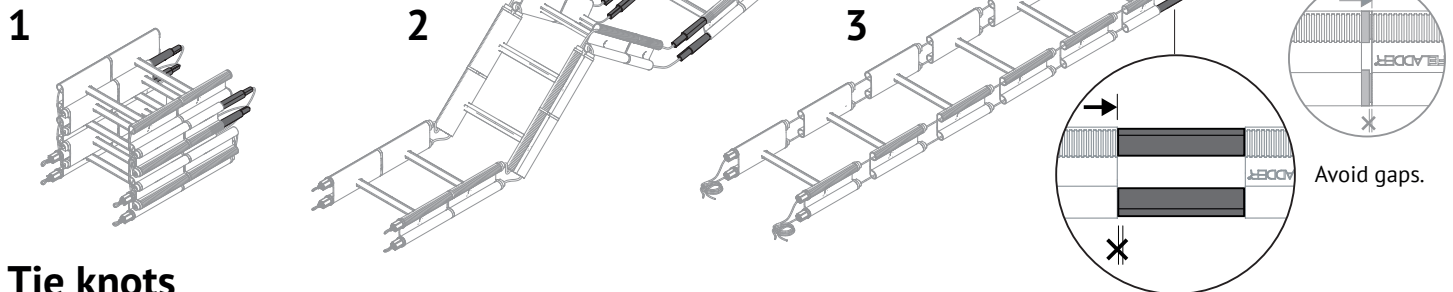
Cantilever Assembly Guide



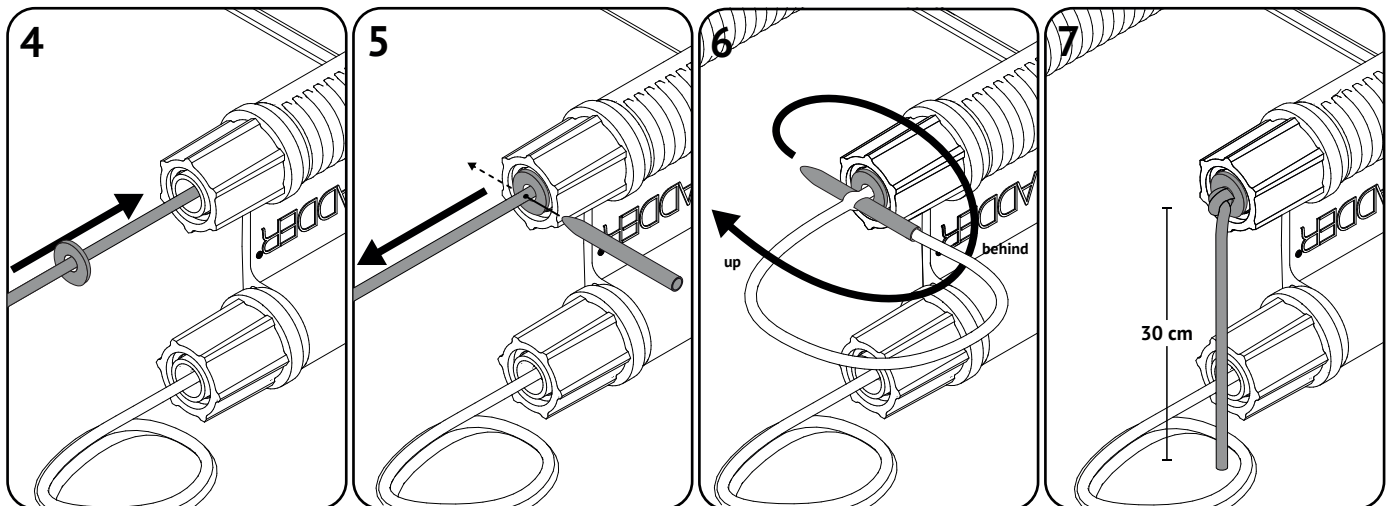
Tools needed

Splice Needle for 5 mm rope (included, one per order)
 Regular Wrench (or Torque Wrench), size 35 mm or 1 3/8"

Fold out, push together



Tie knots



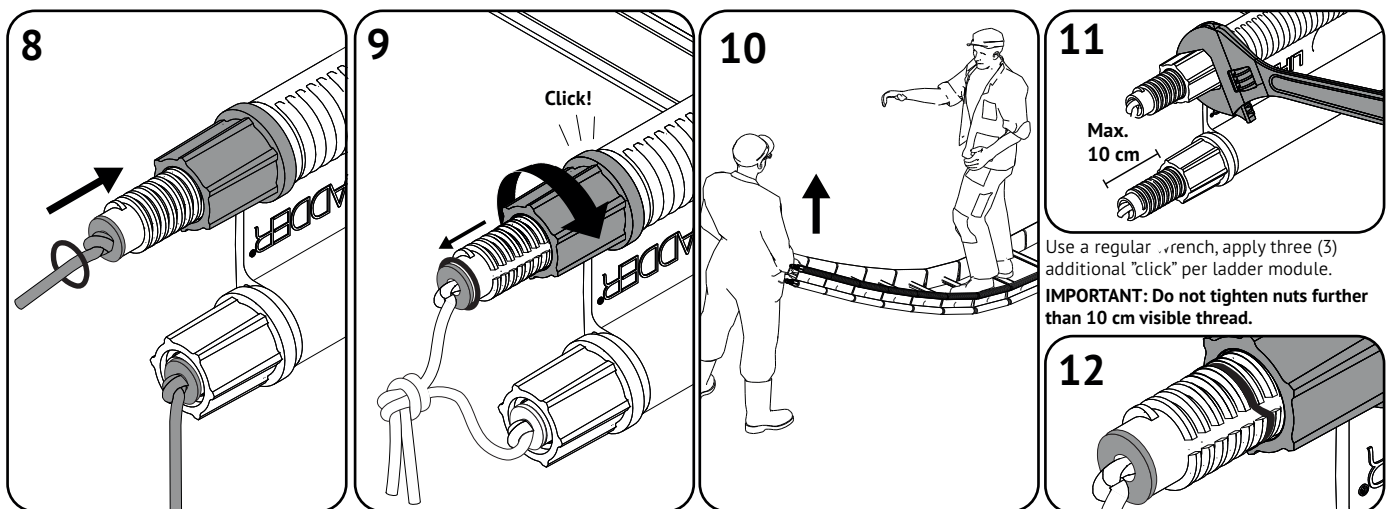
Place rounded washer

Pull rope **as hard as possible** (particularly important with long ladders). Then, pierce rope with Splice Needle next to the plastic nut.

Use the Splice Needle to put the rope through itself. Then, guide the rope **behind** the loop and **up** through the loop to form a knot.

Tighten the knot. Cut excess rope 30 cm from knot. Repeat steps 4-6 for the other three ropes.

Tighten



Place O-Ring

Tighten plastic nuts by hand. Tie ropes together with an ordinary knot.

Bend the LifeLadder Thor® to distribute tension. *Example: One person stands on the ladder while another person lifts up the end of the ladder.* Tighten plastic nuts again. Turn the ladder over and repeat until the ladder is rigid.

Finalize assembly: Roll O-Ring into position closest to the plastic nut, and ensure zig-zag placement.