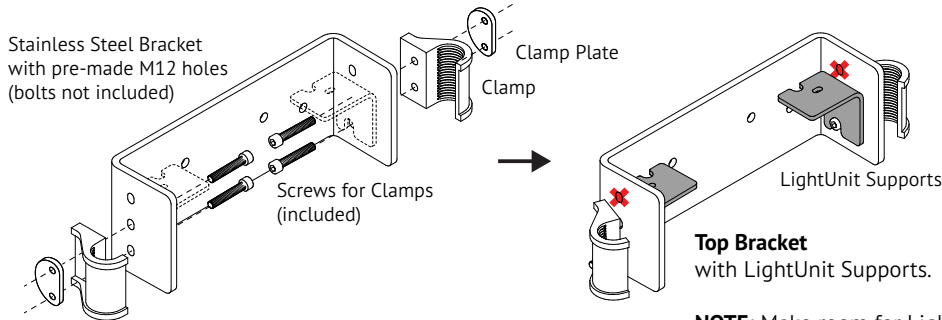


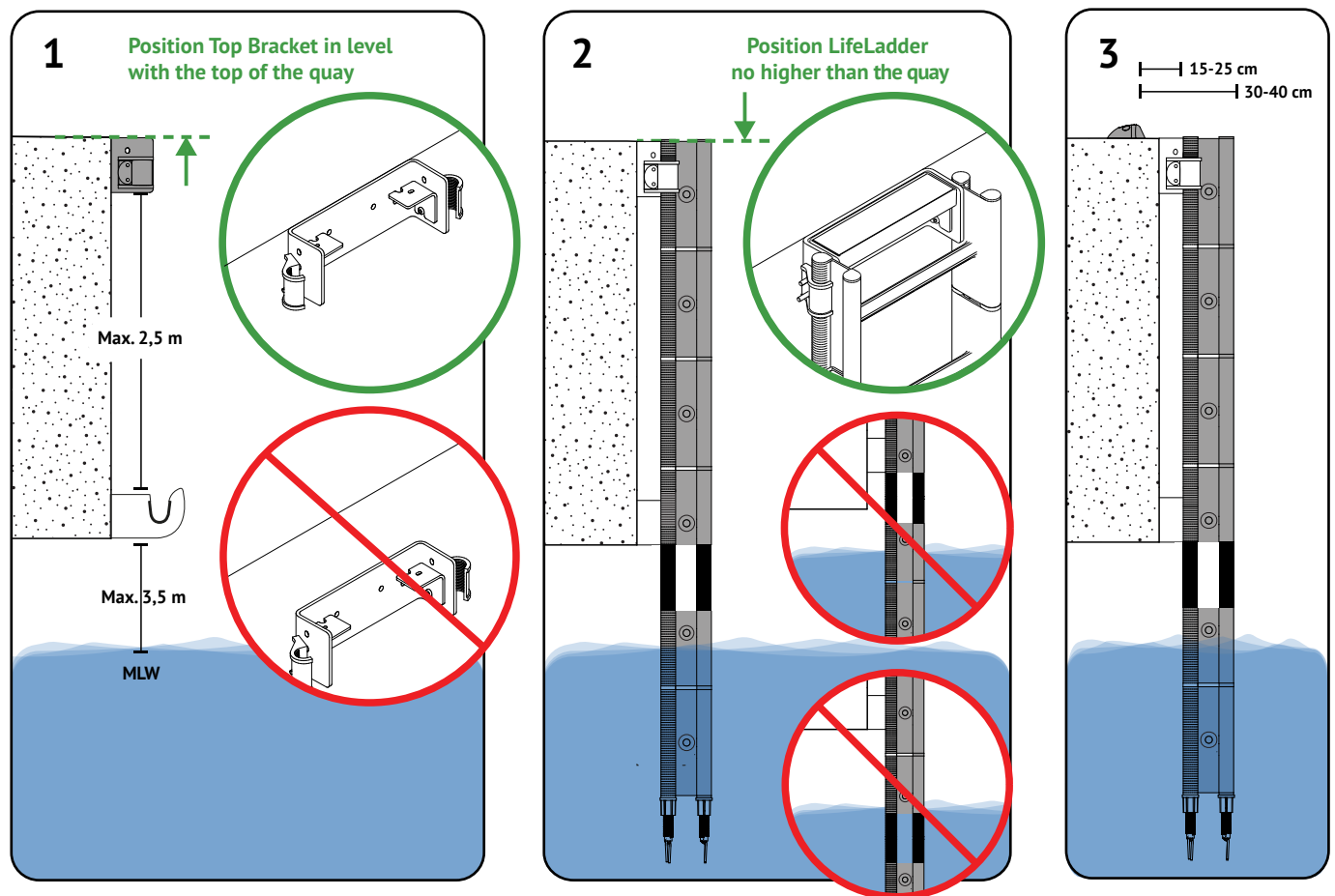
Cantilever Installation Guide

Assemble Brackets



NOTE: Make room for LightUnit in Top Bracket: Do not use upper holes. ✘

Install LifeLadder

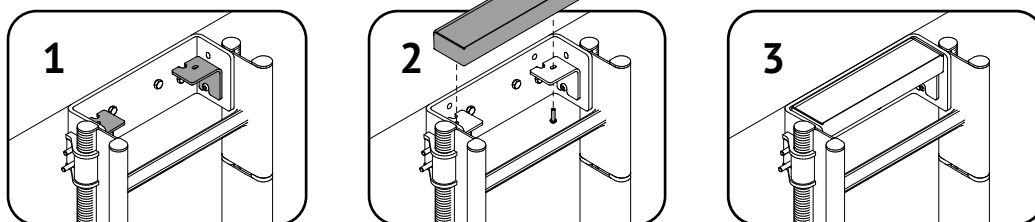


Install Brackets.

Position LifeLadder.

Tighten Clamps.
Position Turtle Handhold 15-25 cm from quay wall ~ 30-40 cm from center of LifeLadder step.

Install LightUnit



Make sure Supports for LightUnit are installed in Upper Bracket.

Unpack and fix LightUnit to the Supports with 2x Button head screws (included).

LightUnit will automatically turn on at night.

Functionality:
LightUnit charges in sunlight. Its LEDs illuminate the LifeLadder at night.

Avoid shadows:
Lack of exposure to sunlight will reduce performance and might cause LightUnit to not function during winter time.

After installation:
LightUnit may need 2 days of sunlight to 'wake up'.

Placement of B11 Fork Bracket

Bracket qty	Length m	Module No	Bracket Location cm(Top of ladder -> Bottom Bracket)
		1	
		2	
2	0,9	3	82
2	1,2	4	112
2	1,5	5	142
2	1,8	6	172
2	2,1	7	202
2	2,4	8	232
2	2,7	9	262
2	3,0	10	292
2	3,3	11	322
2	3,6	12	352
2	3,9	13	382
3	4,2	14	412
3	4,5	15	442
3	4,8	16	472
3	5,1	17	502
3	5,4	18	532
3	5,7	19	562
3	6,0	20	592
3	6,3	21	622
4	6,6	22	652
4	6,9	23	682
4	7,2	24	712
4	7,5	25	742
4	7,8	26	772
4	8,1	27	802
4	8,4	28	832
4	8,7	29	862
5	9,0	30	892

