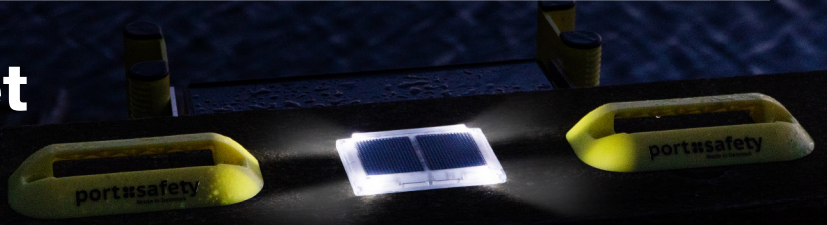




# Turtle Handhold Set and handholdLight

by port:safety



## Turtle Handhold Set

The Turtle Handhold Set is designed to minimize trip hazards by ensuring it does not pose a tripping risk, while also allowing ease of climbing without obstructing the path to safety. It is highly durable, capable of withstanding vehicle impacts and being driven over without damage. The handhold remains clearly visible without requiring maintenance and is eco-friendly, with the Turtle Handhold Set having a significantly lower CO2 footprint (3.2 kg/CO2e) compared to a stainless-steel handhold (29 kg/CO2e). Its design prevents snagging of mooring lines and ensures it cannot be used for mooring purposes. Additionally, the handhold is UV resistant, made from fully colored, UV-stabilized TPU, resulting in very limited color fading over time.

### Construction

Materials: Made from a combination of plastic and rubber, UV and chemical stable.

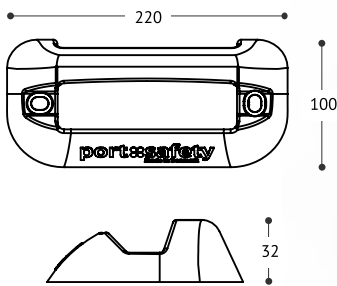
Water Drainage: Constructed to efficiently drain dirt into the basin.

User-Friendly: Easy and intuitive to use.

### Maintenance

No Maintenance Required: Designed to be maintenance-free.

Mechanical Data	
Weight	250 g/set
Dimensions	22 x 10 x 3,2 cm
Expected life time	+20 years
Material	
Handhold	TPU, Chemical resistant UV Stable
Color	RAL1016
Impact Resistance	
Impact	10 Tons



## handholdLight

The handholdLight is designed to increase visibility of the Turtle Handhold Set, especially in low-light or nighttime conditions. It guides individuals to safety by clearly marking access points along the quay. Built with 4 sideways-facing LEDs and powered by solar energy, the handholdLight enhances visibility both at the water's edge and from the landside. It is made from robust, pressure-resistant materials, withstanding loads up to 10 tons. The unit is maintenance-free, easy to install, and has a battery life of 5-7 years.

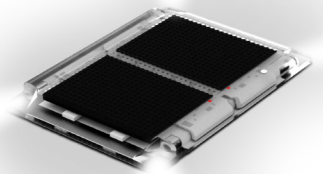
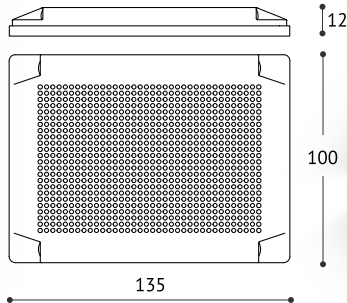
### Construction

Materials: UV- and weather-resistant polymer with sealed electronics.

Waterproofing: IP68-rated for full protection in marine environments.

Performance Note: Requires direct sunlight for optimal charging; extended shade or overcast may reduce runtime.

Mechanical Data	
Weight	0,25 kg
Dimensions	100 x 135 x 12 mm
Materials	
Casing	Clear Polycarbonate
Base Plate	5 mm A4 316 Stainless Steel
Ingress Protection	
IP Class	IP68
IK Class	IK10
Technical Data	
Solar Panel	
Cell Type	Monocrystalline
Battery	
Type	LiFePO4
Capacity	1000 mAh
Nominal Voltage	3.2 V
Primary LEDs	
Type	Dip LED
Color Temperature	7000-9000 K
Nominal Voltage	≥ 80



### Anti trip Hazard

Avoid trip hazard with low height.

### Visibility

Remains visible without the need for maintenance.

### Durability

Can withstand vehicle impact and be driven over without damage.